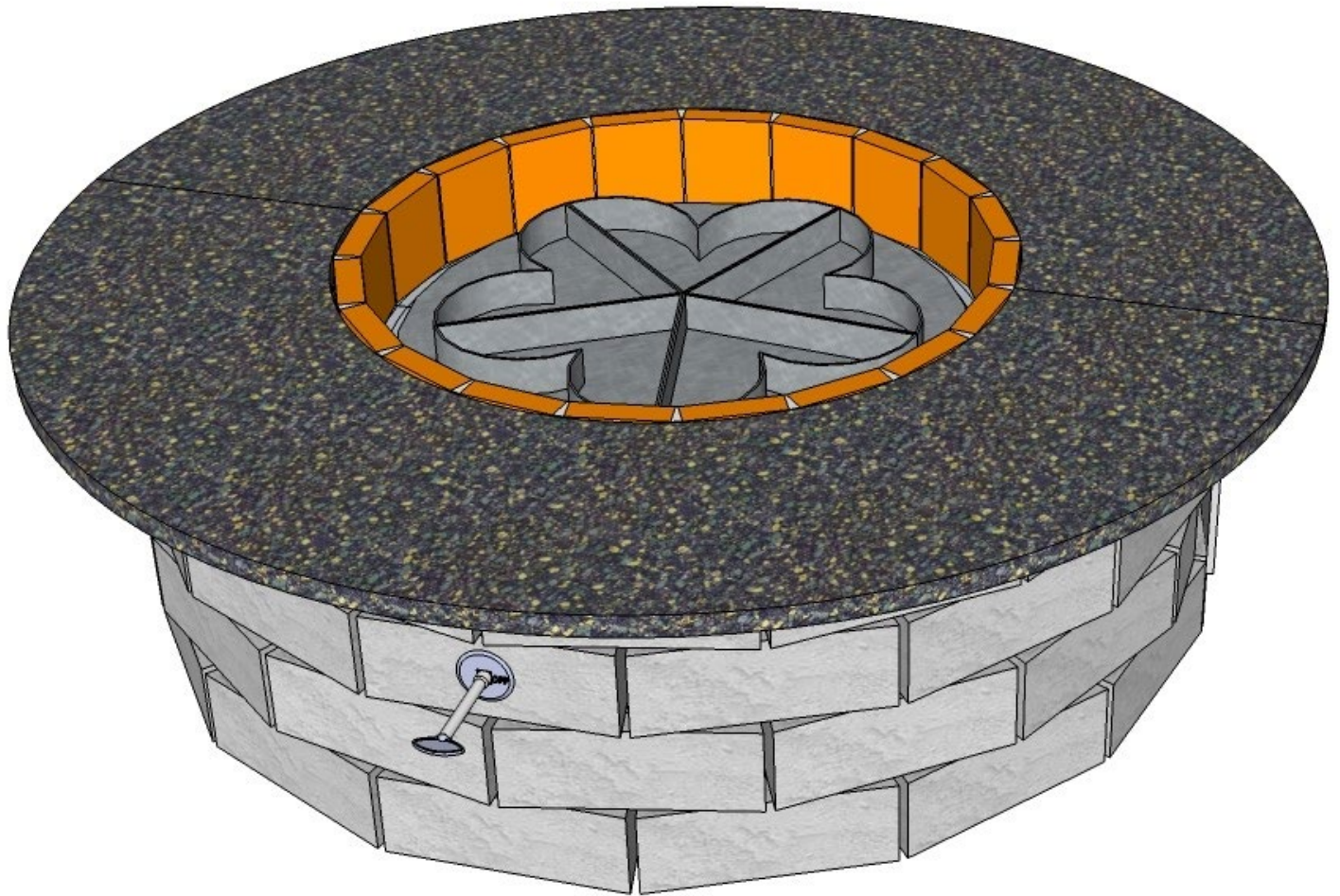


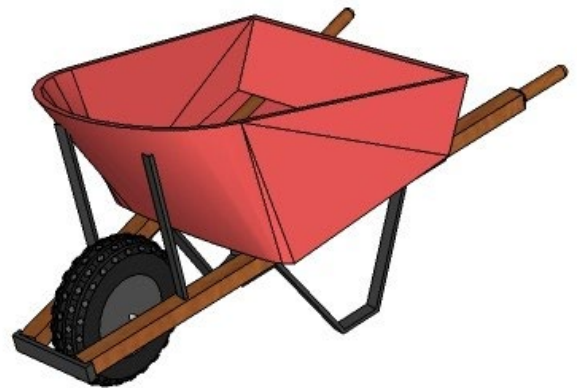
**Cambridge Pre-Packaged Natural Gas or
Liquid Propane Gas Firepit Use For Pyzique
Wall, OE Radius Wall & Garden Wall**



**Cambridge Pre-Cortado Kit de Mesa
pa-ra uso Afuerra de MaytRx Pared**

Cambridge Pre-Packaged Pyzique or Olde English BBQ Gas Firepit

2023

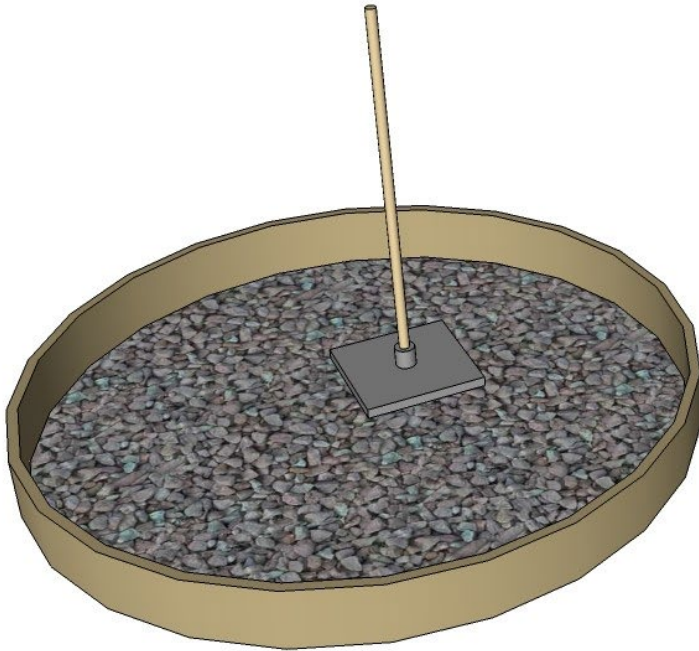


Foundation:

Find an area that is level and not too close to trees or structures. Place a stake in the middle of a 52" circle. Tie a rope on the stake and tie the other end 26" from the stake to a shovel, this will allow a circle to be cut in the topsoil. Excavate to a depth of 4" below undisturbed soil.

Cambridge Pre-Packaged Pyzique or Olde English BBQ Gas Firepit

2023



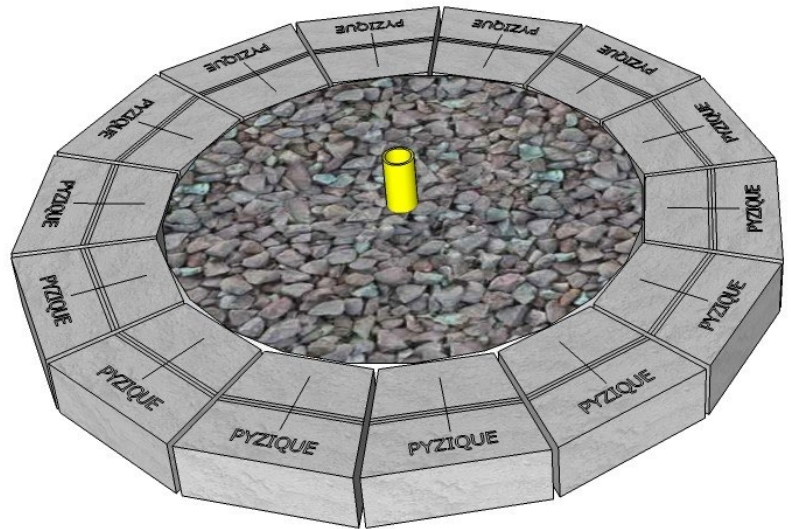
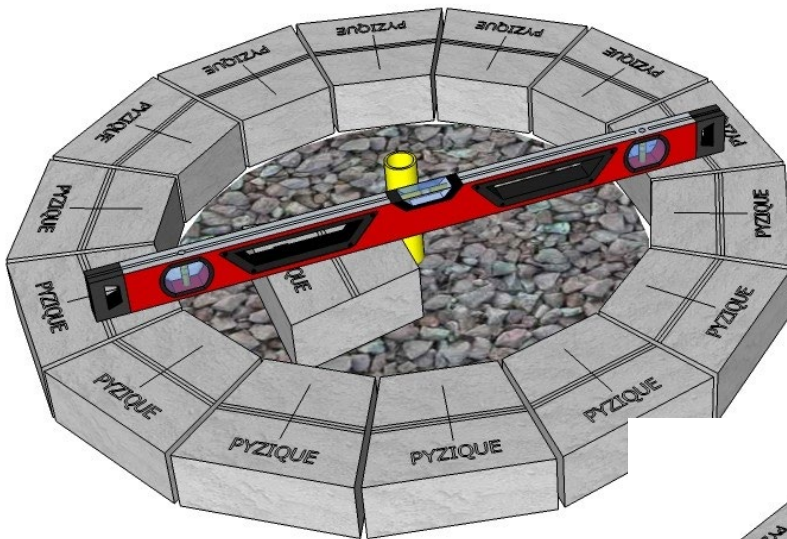
Foundation:

Certified Plumber should install Gasline at this time keeping the line at least 20" long to go through 10" of stone and exit in the middle of the circle

Fill the Cavity with quarry process and Compact every 3", finish by leveling 1" before surface grade

Cambridge Pre-Packaged Pyzique or Olde English BBQ Gas Firepit

2023



Layer 1:

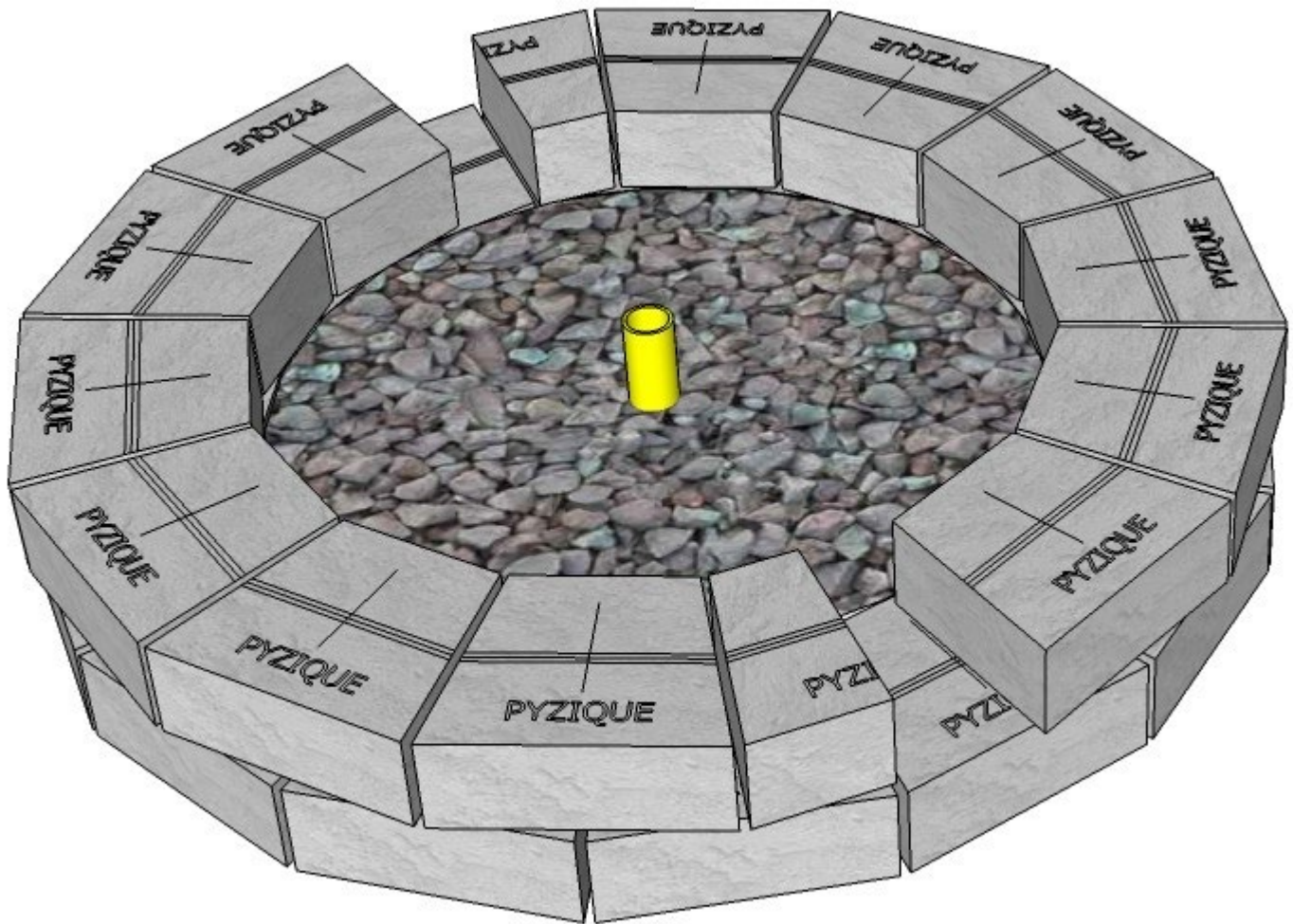
Piece Count = 14 Pyzique Stones
13 Olde English Radius Stones
13 Garden Wall Stones

Place the stones to create a ring. Fill with
3/4" crushed stone tot op of first course.
Keep 1/8" between all stones

A 4-foot level should help you get all the wallstones at the
right height. Use concrete sand to fine level any wallstones
that are low and use a rubber mallet for any wallstones that
are too high.

Cambridge Pre-Packaged Pyzique or Olde English BBQ Gas Firepit

2023



Layer 2:

Piece Count = (12) Pyzique Stones
(11) Olde English Radius Stones
(11) Garden Wall
(2) Cut Stones

Place the second layer of wallstones, aligned to the center of each stone below to create a ring with the two cut stones leaving a gap to place the vents.

Vents must be placed opposite each other for proper venting. Make sure the vents are in a position that is acceptable to the home owner's view.

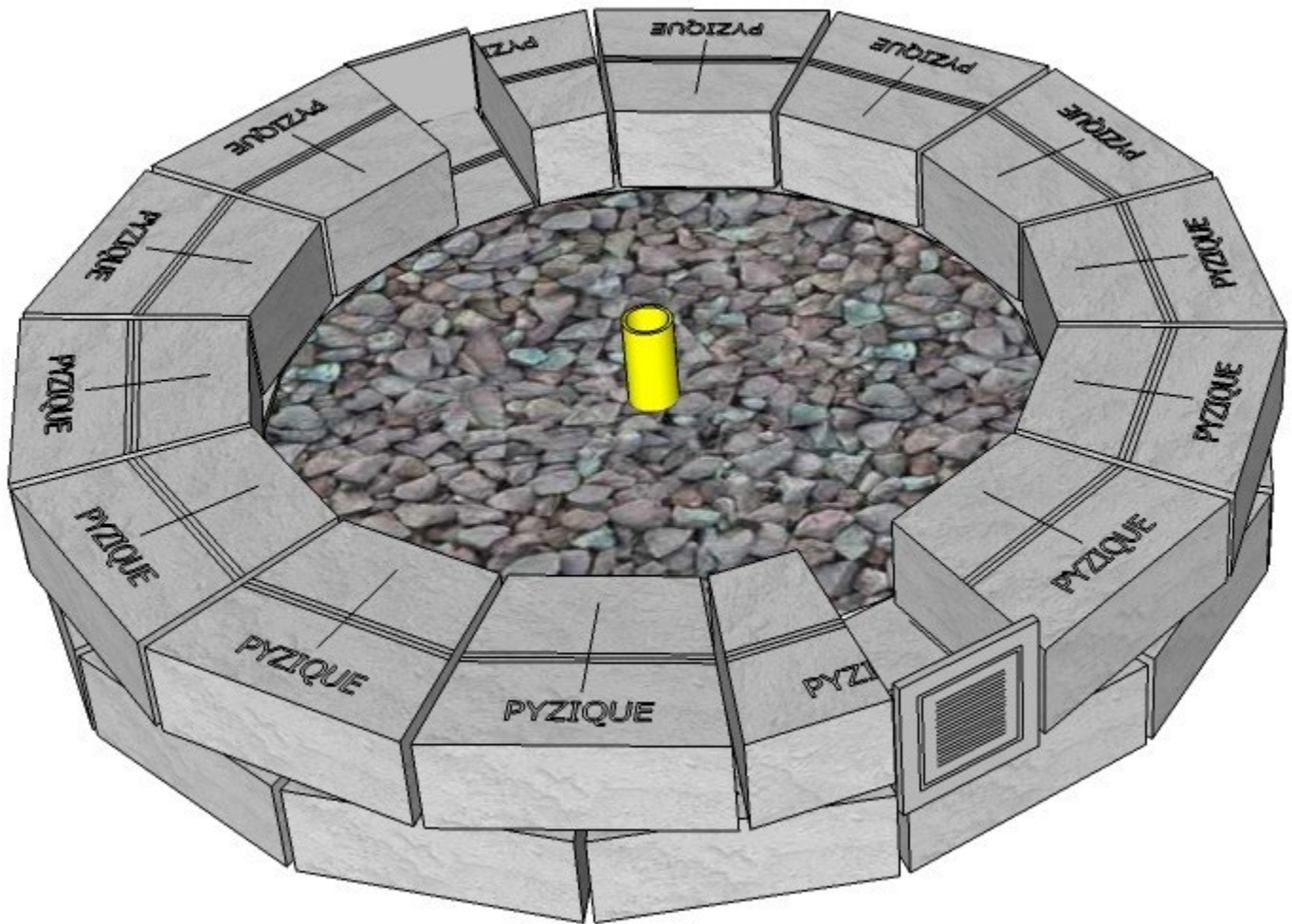
Capa 2:

Numero de Piezas = (4) Piedra de columna

Pegue las piedras de la columna como se muestra para la segunda capa, aplicar el adhesivo. Asegúrese de hacer esto y todas las capas lo más nivelado posible.

Cambridge Pre-Packaged Pyzique or Olde English BBQ Gas Firepit

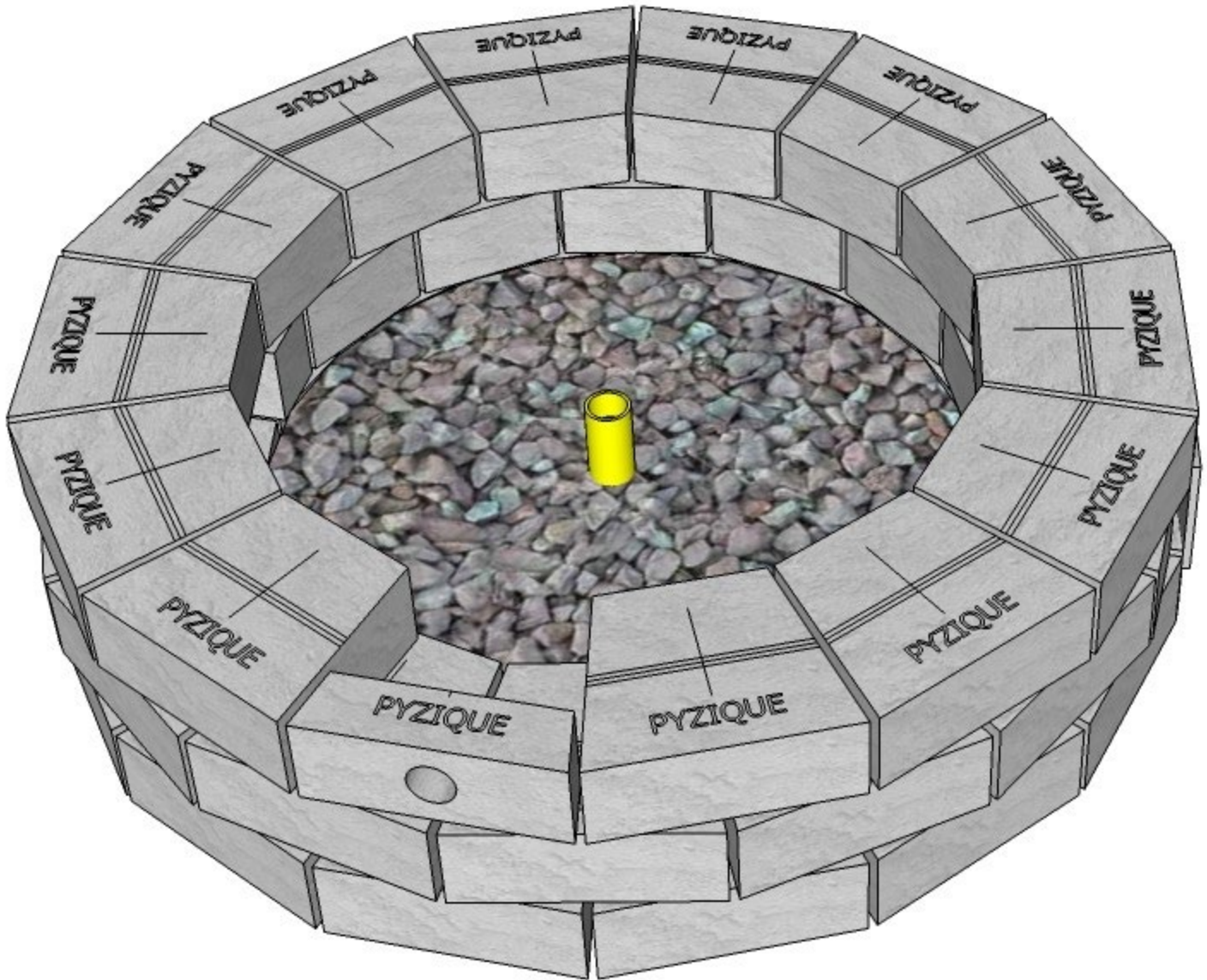
2023



Layer 2A:
Piece Count= (2) Vent
Apply glue and place vents in
openings on layer 2.

Cambridge Pre-Packaged Pyzique or Olde English BBQ Gas Firepit

2023



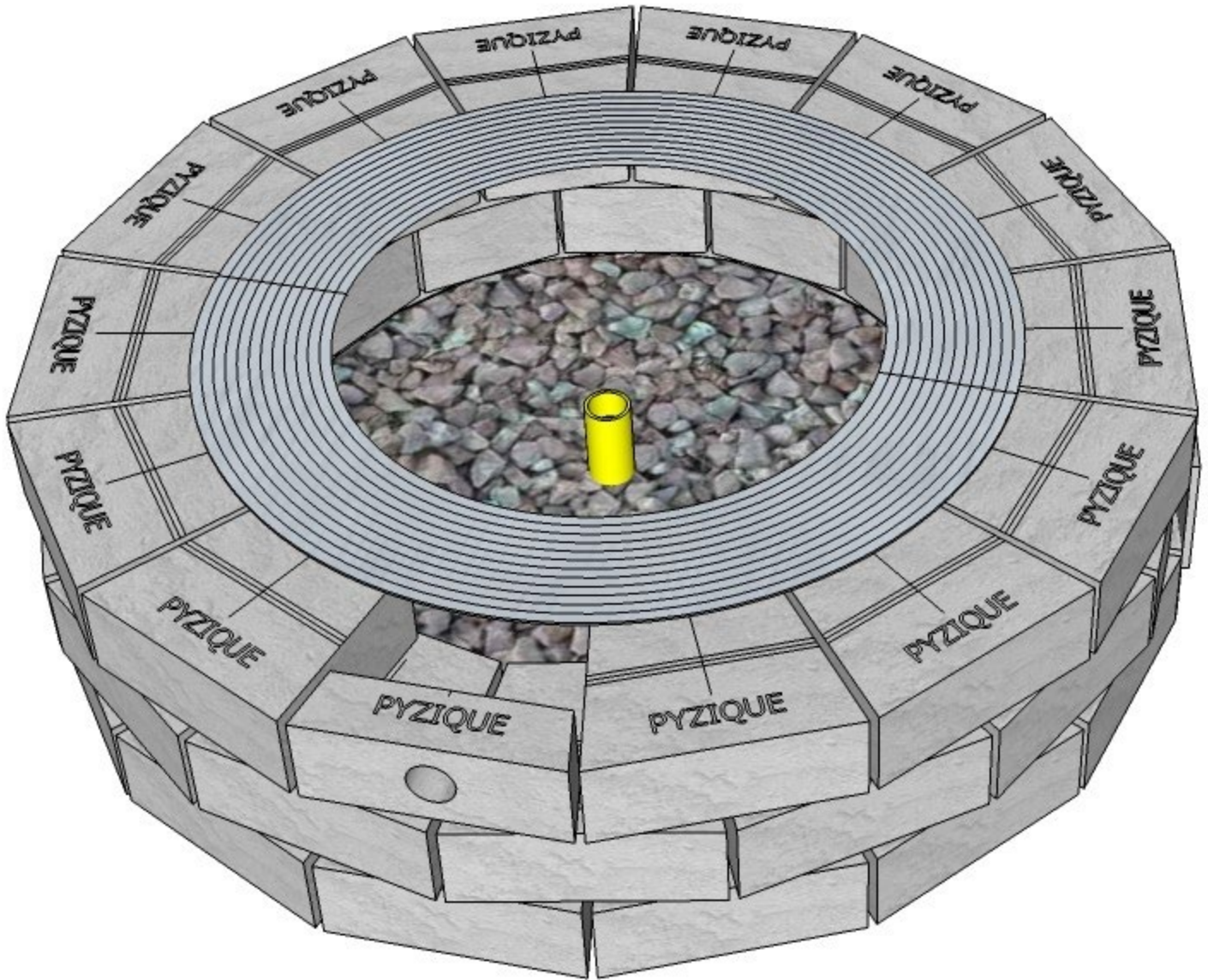
Layer 3 :

Piece Count = (13) Pyzique Stones
(12) Olde English Radius Stones
(12) Garden wall (1) Key hole pc

Place the third layer of wallstones,aligning the vertical edges in the same position as the first laver. Install thep r e cut stone for the gas shutolt key.

Cambridge Pre-Packaged Pyzique or Olde English BBQ Gas Firepit

2023

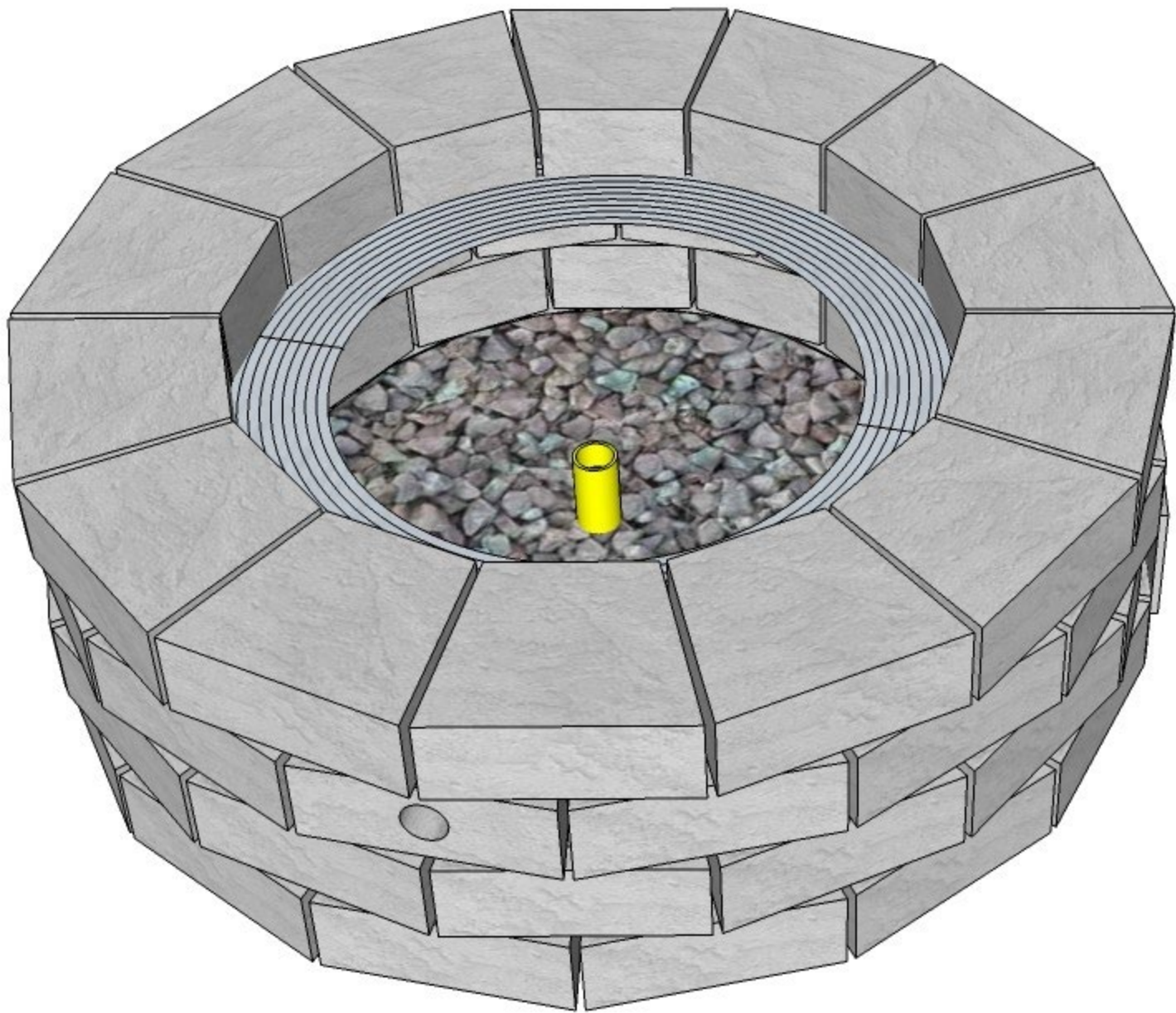


Laver 3: Inserts

Piece Count = (1) 90 Gauge Galvanized Split Support Ring

Sweep top of third layer free of any loose particles and install 90 gauge galvanized split support ring evenly centered

Cambridge Pre-Packaged Pyzique or Olde English BBQ Gas Firepit



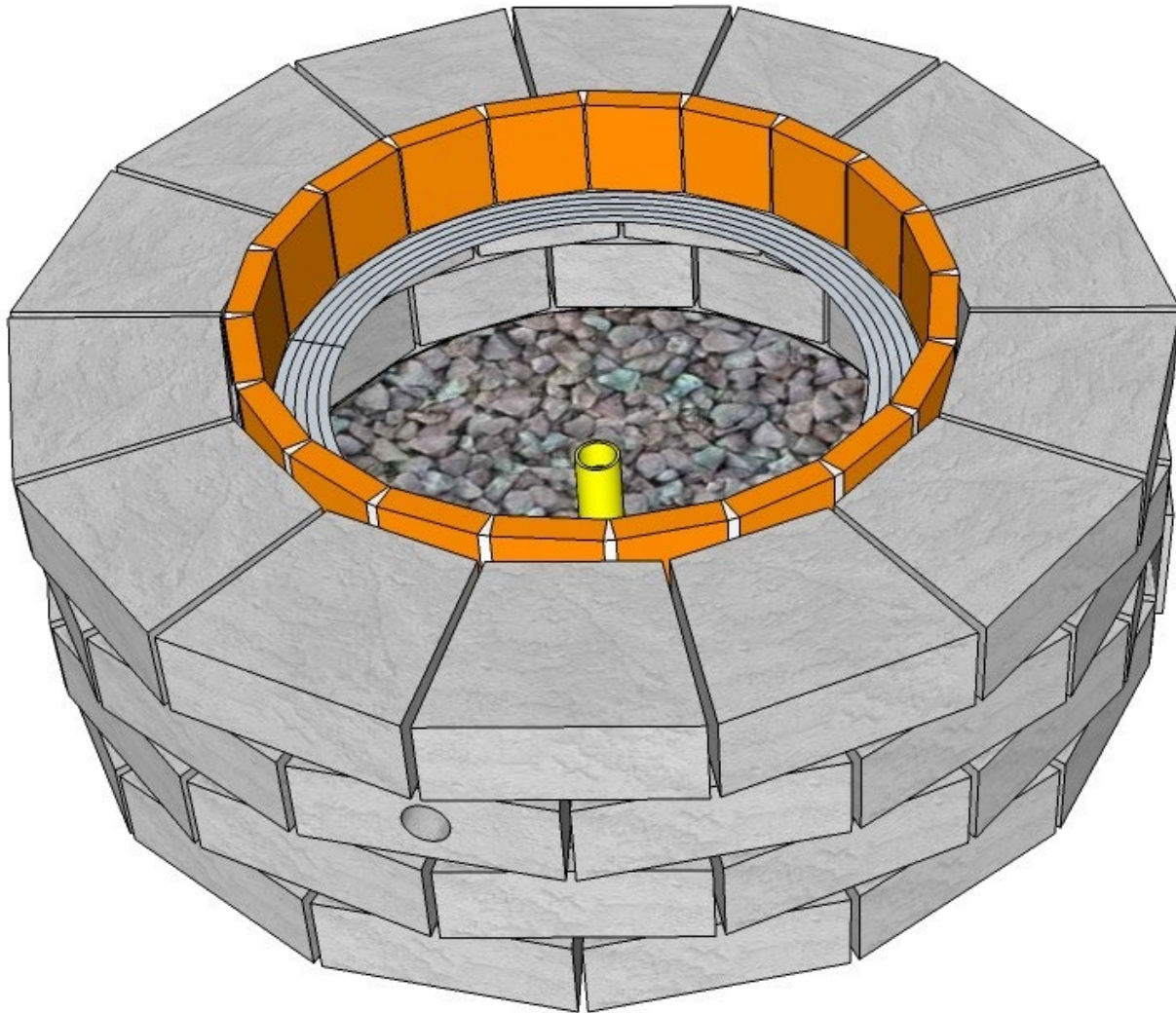
Layer 4

Piece Count = (14) Pyzique Stones
 (13) Olde English Radius Stones
 (13) Garden wall

Place the fourth layer of wallstones in the same position as the second layer. Install this layer on top of the galvanized split ring.

Cambridge Pre-Packaged Pyzique or Olde English BBQ Gas Firepit

2023



Layer 4 A:

Piece Count = (1) Burner

Have burner and gas parts installed by a licensed plumb-

Initial use: First few fires should be small in case any left over moisture is present in the mortar.